

# Shimmy Damper

15-8

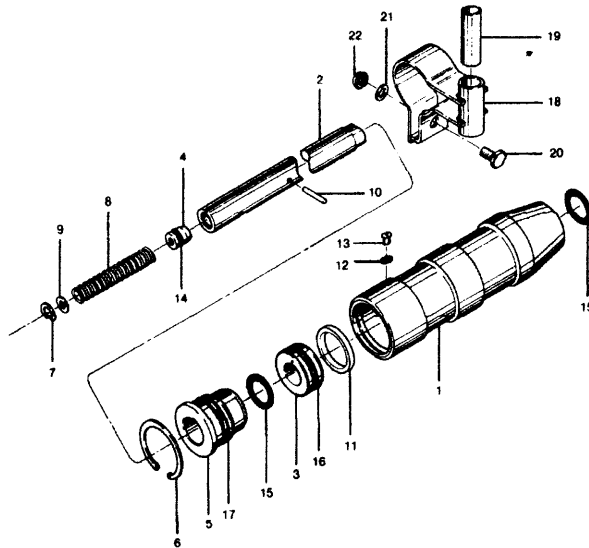


FIG.	PART NUMBER	DESCRIPTION	ASSEMBLY NUMBER
1	144-84	Cylinder Body	1
2	142-86	Piston Rod	1
	142-88	Piston Rod	1
3	148-50	Piston	1
	148-51	Piston	1
4	148-52	Piston-Floating	1
5	141-50	End Gland	1
6	155-85	Snap Ring (MS16625-1112)	1
7	155-84	Snap Ring (MS16625-1031)	1
8	82-81	Spring (C0300-032-2500-S)	1
9	95-38	Washer	1
10	223-29	Roll Pin (MS171500)	1
11	139-137	Glyd Ring (S12547-117)	1
12	95-26	Stat-O-Seal (600-001-10)	1
13	102-204	Screw (MS51958-59)	1
14	101-3	O-Ring (MS28775-008)	1
15	101-50337	O-Ring (MS28775-112)	1
16	101-50116	O-Ring (MS28775-116)	1
17	101-15	O-Ring (MS28775-210)	1
18	185-3	Clamp Assembly	1
	185-7	Clamp Assembly	1
19	145-89	Bushing	1
	145-91	Bushing	1
20	103-1	Bolt (AN3-5A)	1
21	95-131	Washer	1
22	94-123	Nut	1
	190-536	Seal Repair Kit	1